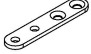

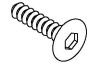


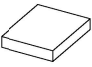

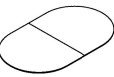



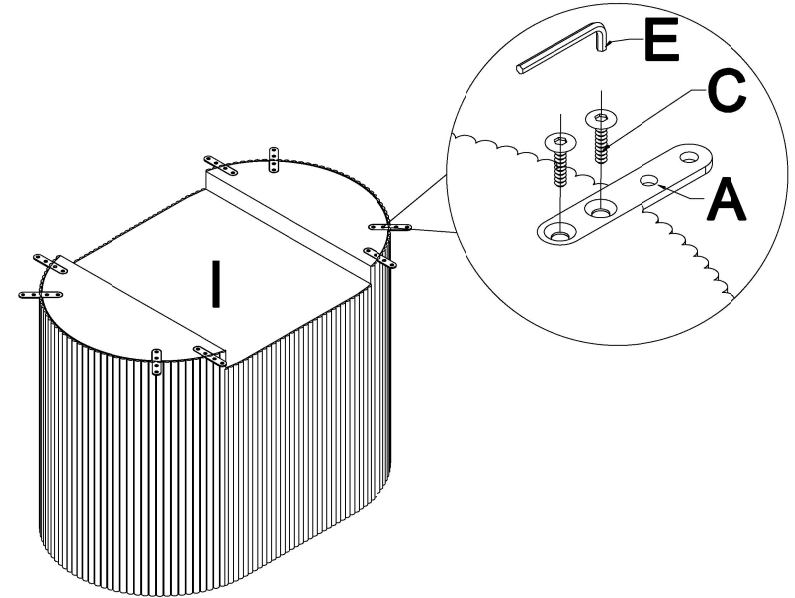
# ASSEMBLY INSTRUCTION 51830

1

## LIST OF ACCESSORIES

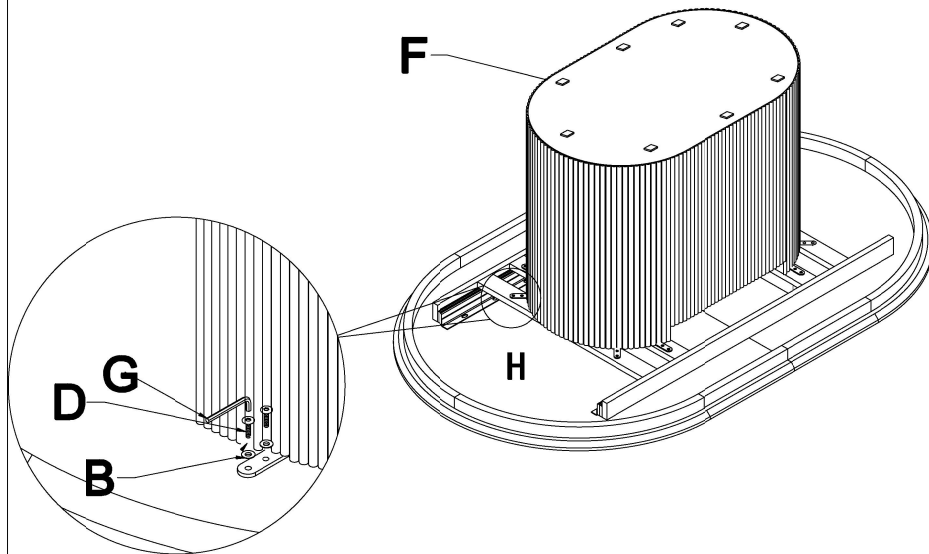
A		B		C		D		E	
	x8	M8	x16	M6X20	x16	M8X20	x16	4#	x1
F		G		H		I			
	x8	5#	x1						

2

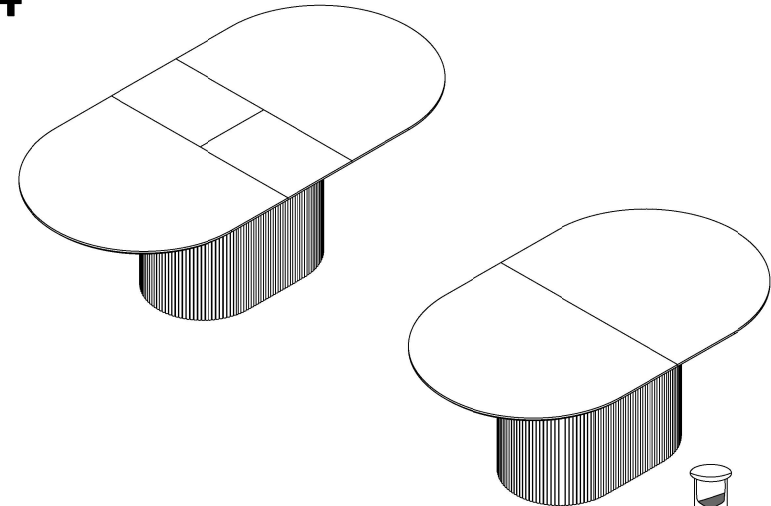


## ASSEMBLING STEPS

3



4



30min

