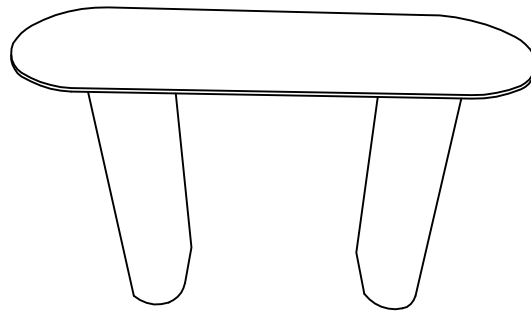
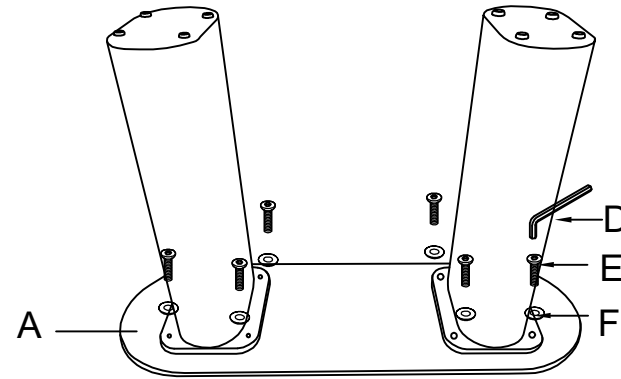
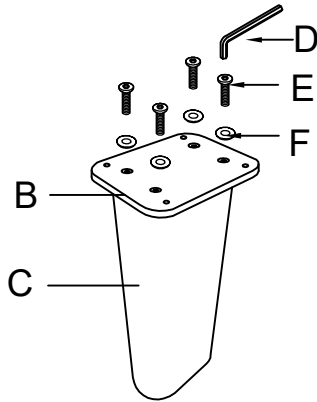


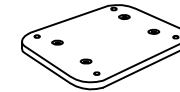
ASSEMBLY INSTRUCTION 3700-1



A . X1



B . X2



C . X2



D . X1



E . X16



m8*25

F . X16

