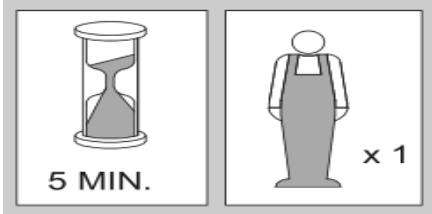


# ASSEMBLY INSTRUCTION

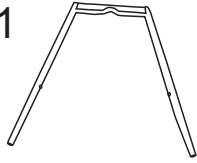
## 5630



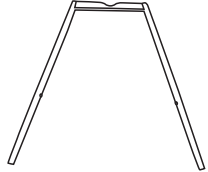
Ax1



Bx1



Cx1



Dx1



Ex4



M6x25mm

Fx1



M6x30mm

Gx4

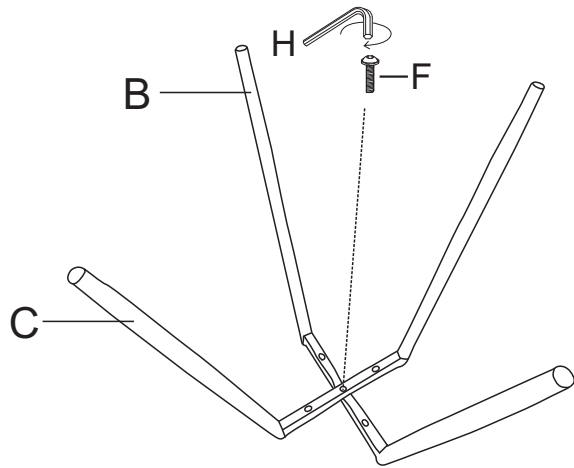


M6x45mm

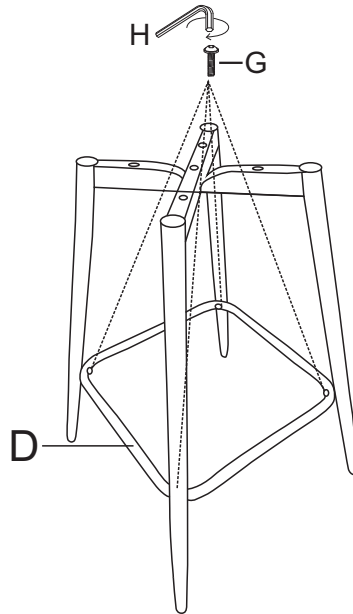
Hx1



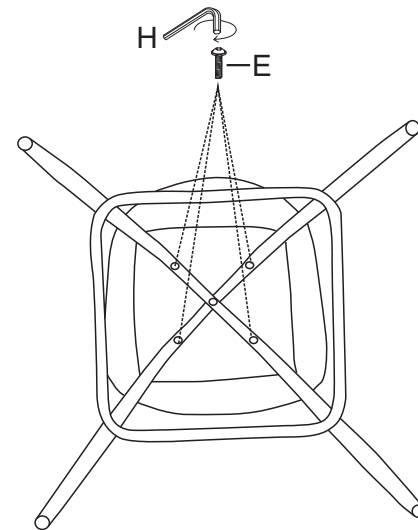
①



②



③



④

