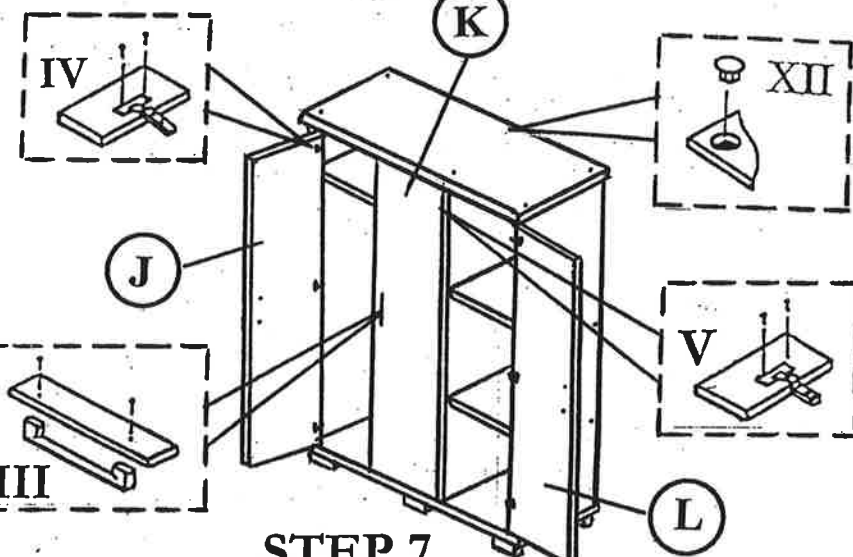
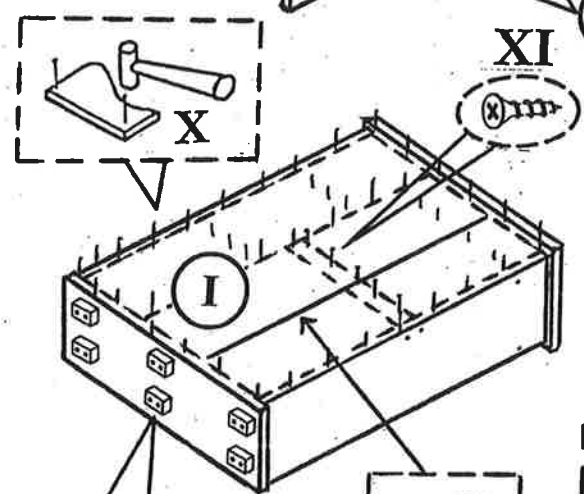
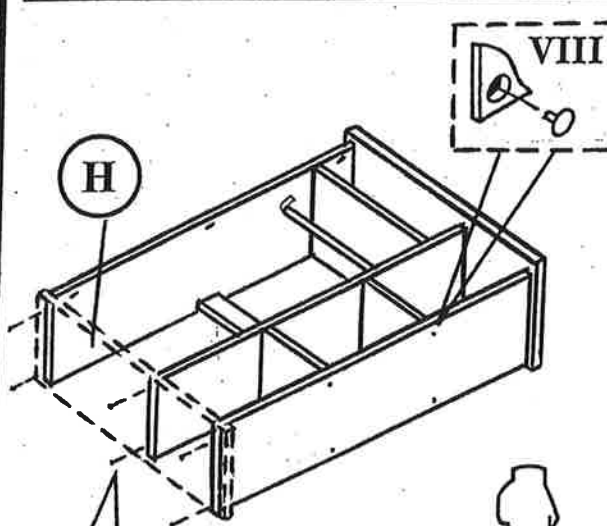
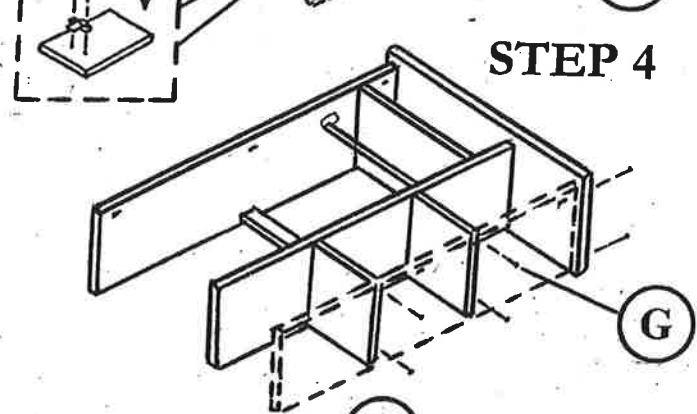
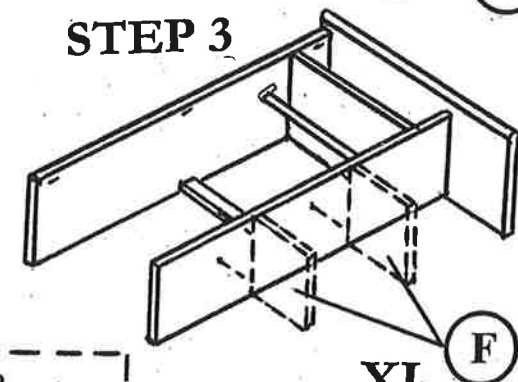
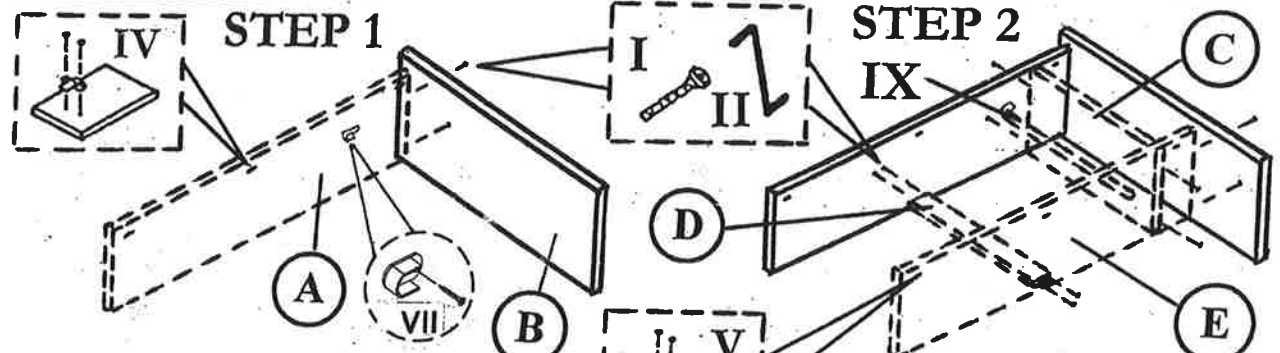


ASSEMBLY INSTRUCTION

MODEL 6710 / WARDROBE

Before you begin, please follow Assembly Instruction carefully. Then follow them step by step.

HARDWARE		LIST	
NO	DESCRIPTION		QTY
I	JCBCW SCREW M6 x 45		28pcs
II	ALLEN KEY		1pc
III	HANDLE & SCREW M3.5 x 30		3sets
IV	HINGES(A) & SCREW M3.5 x 16		6sets
V	HINGES(B) & SCREW M3.5 x 16		3sets
VI	PVC LEG & SCREW M3.5 x 30		6sets
VII	PIPE WOOD SUPPORT & SCREW M3.5 x 16		2sets
VIII	STICKER		8pcs
IX	PIPE		1pc
X	NAIL		70pcs
XI	M3.5 x 12 CHIPBOARD SCREW		5pcs
XII	CAP BIG		6pcs

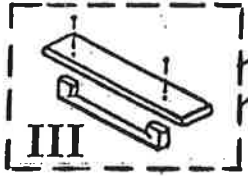
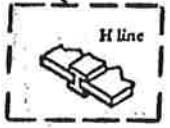


STEP 5

ATTENTION:
NO. J&L = hinges A
NO. K = hinges B



STEP 6



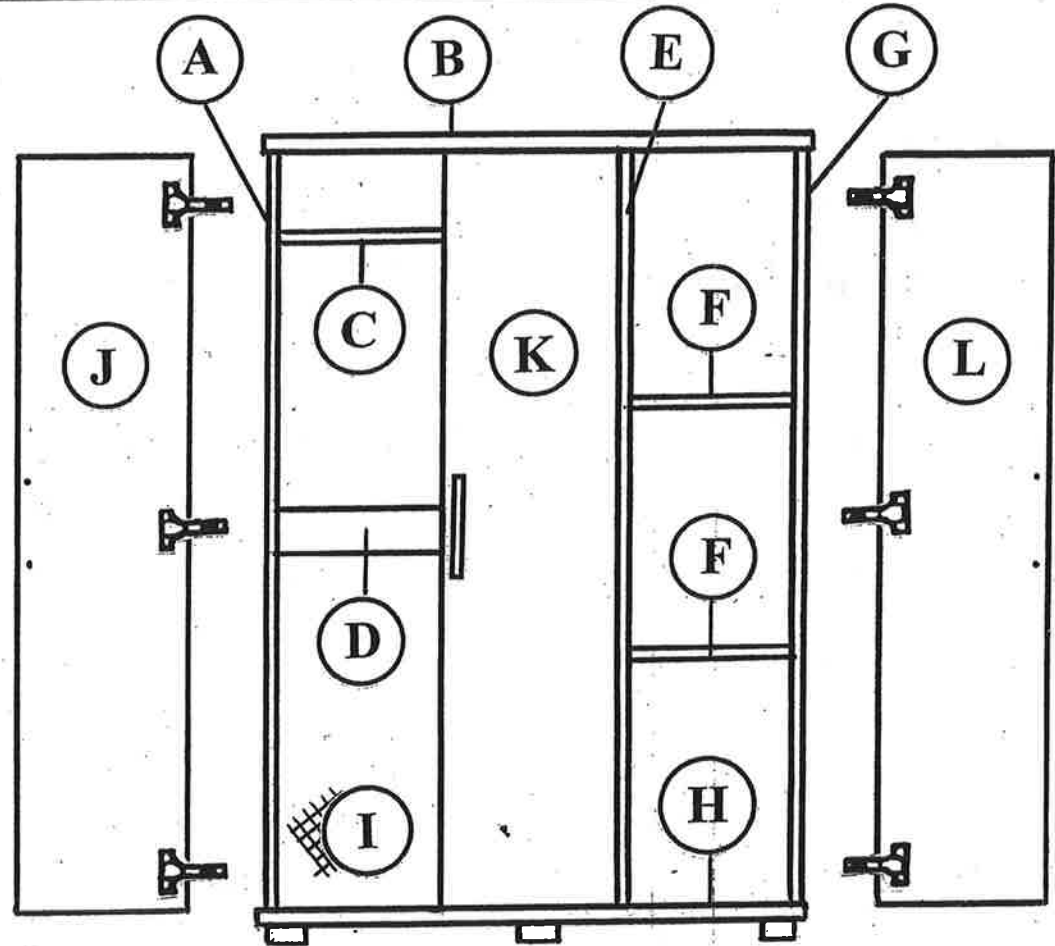
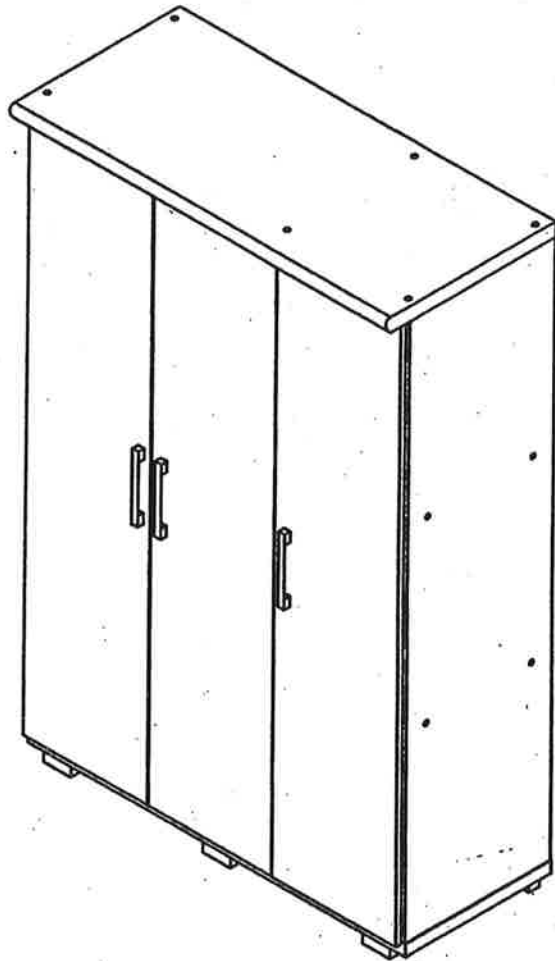
STEP 7

CAUTION:

To clean use soft, dry cloth. Do not use detergent or chemicals.
Avoid contact with water and direct sunlight.
To be assembled on a soft, dry, clean and smooth surface.

ORDERING REPAIR PARTS

In order to obtain smooth and rapid service when ordering repair parts, please give full attention to the following of PART NUMBER.



*** Please take carefully of step to Assemble the hinges**

NO. (J) Left side door - Use hinges (AIM) - No. IV

NO. (K) Centre door - Use hinges (DANGO) - No. V

NO. (L) Right side door - Use hinges (AIM) - No. IV.

NO	DESCRIPTION	QTY	NO	DESCRIPTION	QTY
A	LEFT SIDE	01	H	LOWEST SHELF	01
B	TOP	01	I	BACK	03
C	CENTRE SHELF	01	J	LEFT SIDE DOOR	01
D	BACK SUPPORT	01	K	CENTRE DOOR	01
E	CENTRE VERTICAL	01	L	RIGHT SIDE DOOR	01
F	CENTRE SHELF	02			
G	RIGHT SIDE	01			

COMPLETE SET