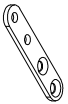



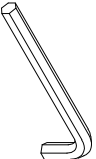
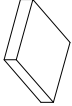

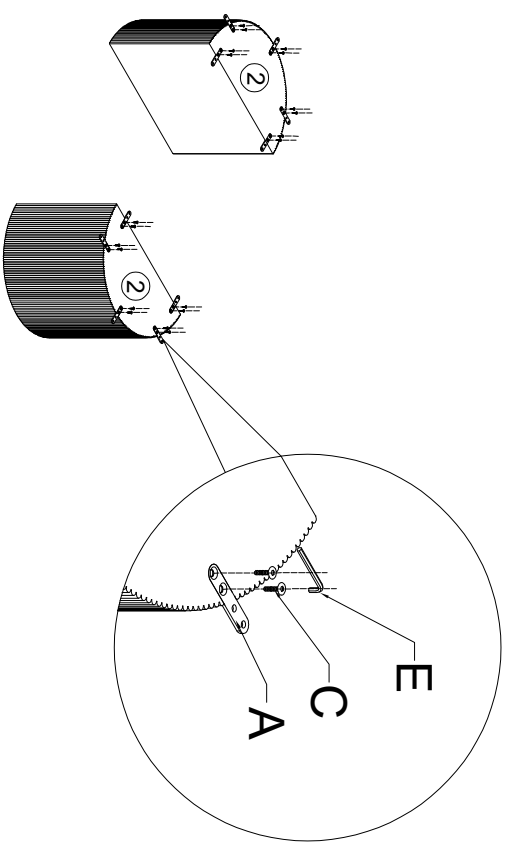


ASSEMBLY INSTRUCTION 51823

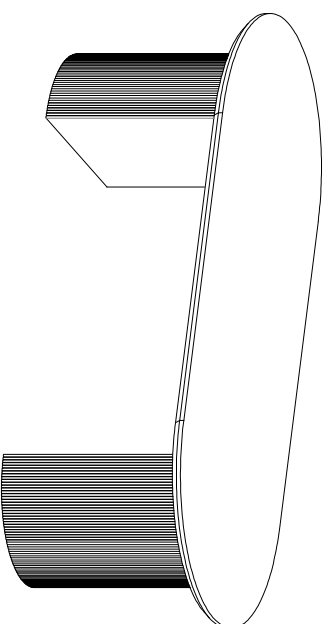
1 LIST OF ACCESSORIES

A		B		C		D	
	100*20*4 x10		M6 x20		6*20 x44		M6 x30
E		F		G			
	4# x1		40*40*2 x10		6*55 x6		

2



4



3

